

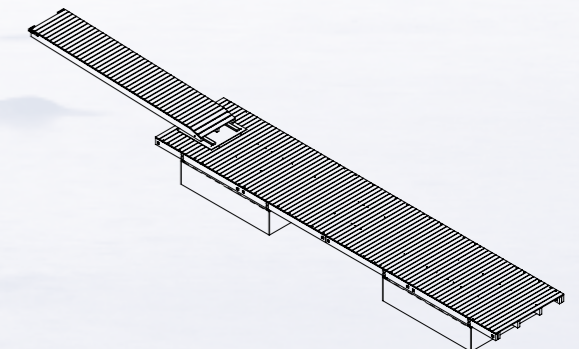
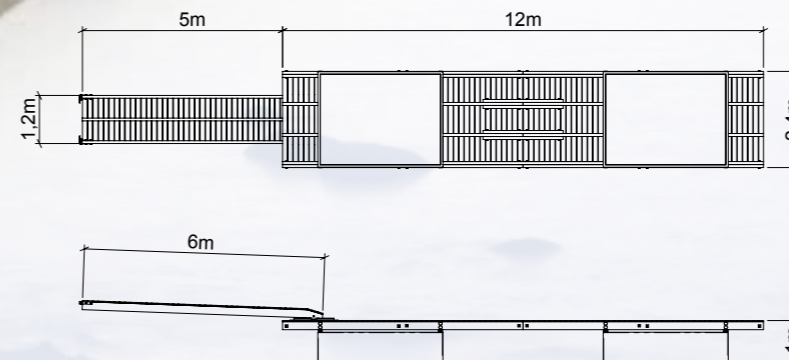
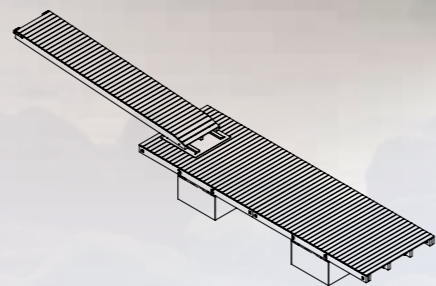
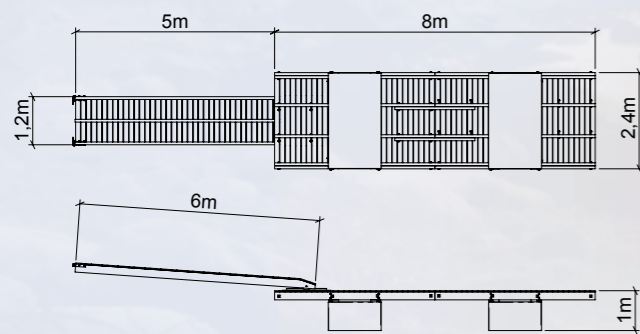
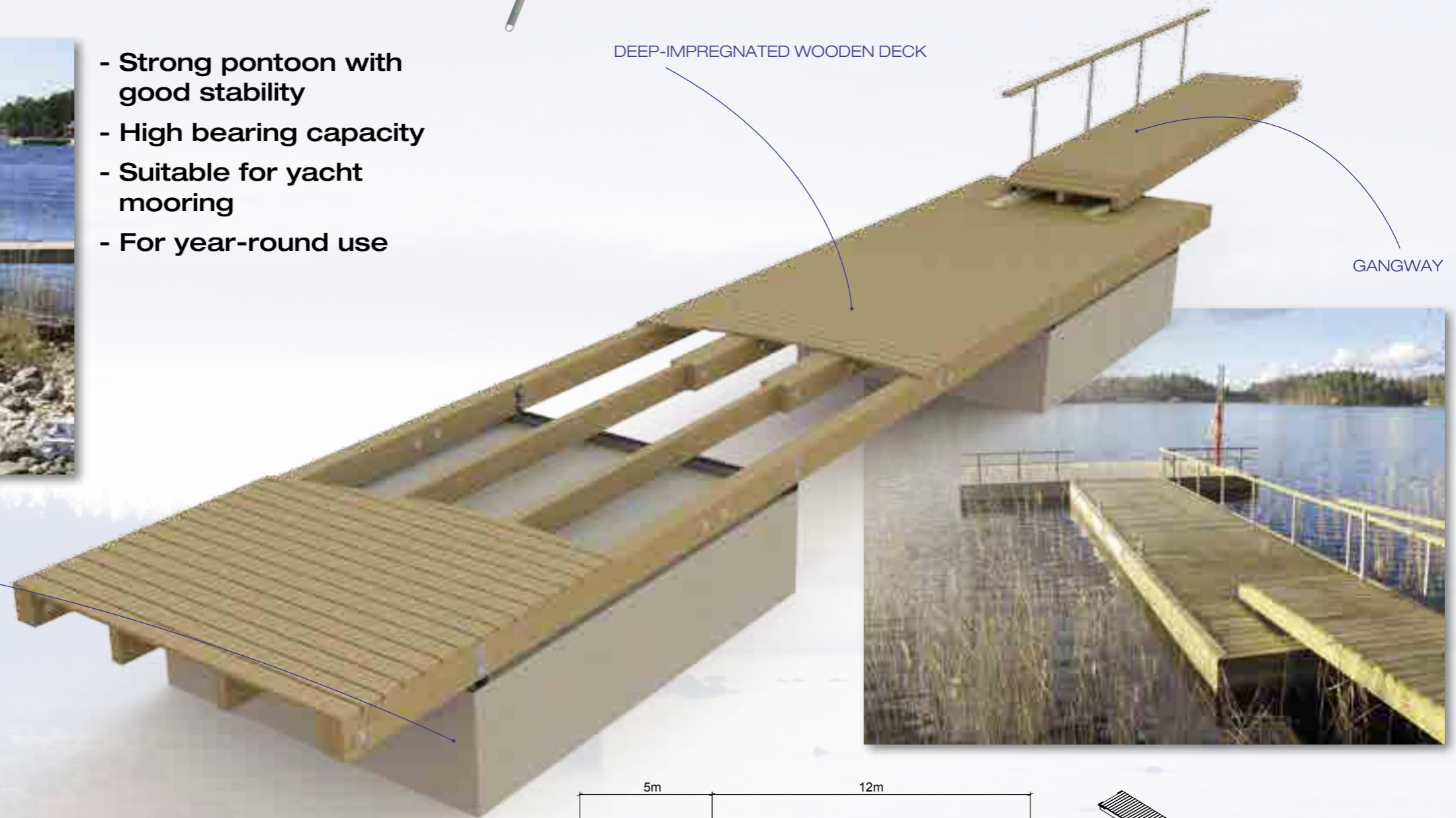
Timber pontoons with concrete floats



- Strong pontoon with good stability
- High bearing capacity
- Suitable for yacht mooring
- For year-round use

CONCRETE FLOAT

- Fiber-reinforced concrete C40/50
- Hot dipped galvanized steel mesh
- Filled with polystyrene EPS 100



Timber pontoon with concrete float 8 m		3 779 EUR
Wooden deck 2.4 x 8 m	1 pc	1 493 EUR
Concrete float 1.3 x 2.4 m	2 pc	1 564 EUR
Gangway 1.2 x 6 m	1 pc	742 EUR

Bearing capacity 1.8 t, weight 2.72 t, freeboard 0.56 m.

Timber pontoon with concrete float 12 m		5 892 EUR
Wooden deck 2.4 x 12 m	1 pc	2 188 EUR
Concrete float 3.1 x 2.4 m	2 pc	2 962 EUR
Gangway 1.2 x 6 m	1 pc	742 EUR

Bearing capacity 5.85 t, weight 4.78 t, freeboard 0.67 m.